

**THE BW-SERIES MAGNETIC BACKUP WRENCHES SIMPLEST WAY TO STOP A NUT ROTATION. EASY TO USE AND VERSATILE**

When torquing or loosening nuts, the thin profile of the MBW Backup wrench prevents the nut on the opposite side of the stud from turning.

No hydraulic, just mechanical & HANDS FREE OPERATION Eliminate injuries on hand and fingers.

Eliminate sparks cause from the use of slugging / striker wrenches.  
Reduce time of operation and improve in productivity.



**BOLTING SOLUTIONS**

**MAGNETS EMBEDDED**

creates a magnetic field and force that attracts on other ferromagnetic materials.

**BI-HEXAGONAL DESIGN**

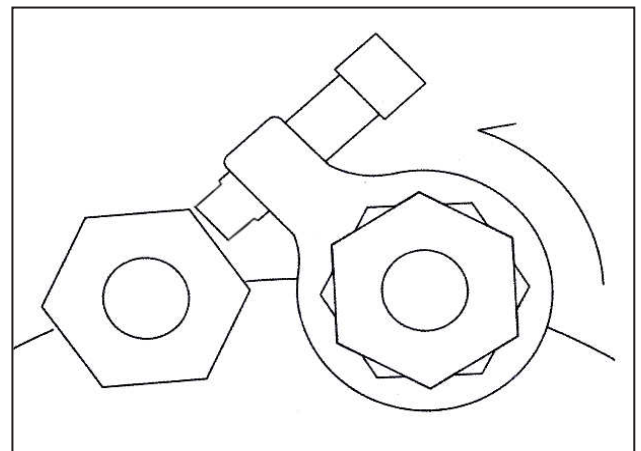
provides the ultimate mixture of versatility and durability



**HIGH STRENGTH**  
heat treated material  
heavy duty.

Usually set release bolt approximate 1/2" length extension, user can be proper to adjust the length extension in case of special space.

Place Backup Wrench on operated Nut, rotates Backup Wrench in counter-clockwise side until release bolt touching reaction points, by this operation, if the release bolt is impossible to close the reaction points after rotation, user also can run release bolt a little out to make it to touch reaction points, after finishing torque operation by hydraulic torque wrench, please loose release bolt with a manual wrench (or other similar wrench), then take backup wrench off and proceed to next operated nut.



**WIDE RANGE OF METRIC AND IMPERIAL SIZES AVAILABLE****Nut Across Flat Range****30 mm - 145 mm****1 1/4" - 5 3/4"**

Model	Across Flat (mm)	Across Flat (in)	Load Limits (Ft.lbs)	Load Limits (Nm)
BW104	30	1-1/4"	2400	3254
BW107	36	1-7/16"	2500	3390
BW110	41	1-5/8"	3500	4745
BW113	46	1-13/16"	3500	4745
BW200	50	2"	4100	5559
BW203	55	2-3/16	4200	5694
BW204	57	2-1/4"	4300	5830
BW206	60	2-3/8"	4300	5830
BW209	65	2-9/16"	4550	6169
BW212	70	2-3/4"	5600	7592
BW215	75	2-15/16"	6300	8542
BW302	80	3-1/8"	7000	9491
BW308	85	3-1/2"	7200	9762
BW311	90	3-11/16"	7300	9897
BW314	95	3-7/8"	9000	12202
BW400	100	4"	24000	32539
BW402	105	4-1/8"	24000	32539
BW404	110	4-1/4"	24000	32539
BW408	115	4-1/2"	25000	33895
BW410	120	4-5/8"	27000	36607
BW500	130	5"	27000	36607
BW506	135	5-3/8"	27000	36607
BW512	145	5-3/4"	28000	37962