

Hydraulic Torque Wrench Pump

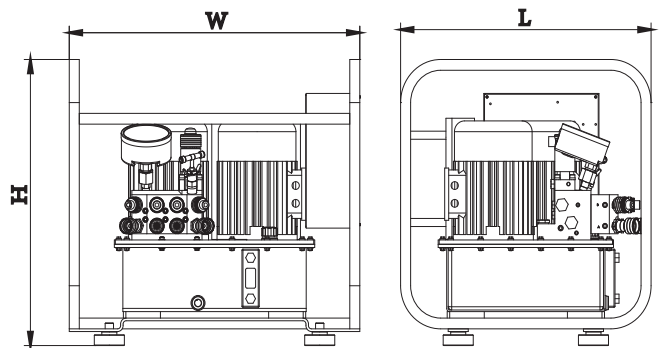
Double Engine High Speed Hydraulic Pump



- Compact automatic three stage flow, can start in high pressure
- Applicable on one or two wrenches simultaneously
- Aluminum oil tank with gauge
- Have $\Phi 100$ high pressure gauge
- Infinitely variable pressure adjustment between 70~700 bar
- With the high efficiency cooling system makes the pump suitable in extreme environment
- Optional components(FP4), can operate four wrenches at the same time

DHP 1.1KW x 2 (220v)

Model	DHP-220x4	DHP-220x8
Operating wrench	4	8
Work Pressure	700 bar	700 bar
Voltage/Frequency	220V / 50Hz	220V / 50Hz
Power	1.1 KW x 2	1.1 KW x 2
Tank capacity	13 L	13 L
Flow(low-mid-High)	14 - 3.2 - 1.6 L/min	14 - 3.2 - 1.6 L/min
Cooler	Yes	Yes
Weight	59.6	63.5
Output Port Size	8 x 1/4" NPT	16 x 1/4" NPT
Volume	500 x 580 x 531mm	500 x 620 x 531mm



DHP 2.2KW x 2 (380v)

Model	DHP-380x4	DHP-380x8
Operating wrench	4	8
Work Pressure	700 bar	700 bar
Voltage/Frequency	380V / 50Hz	380V / 50Hz
Power	2.2 KW x 2	2.2 KW x 2
Tank capacity	40 L	40 L
Flow(low-mid-High)	20 - 8.2 - 2.8 L/min	20 - 8.2 - 2.8 L/min
Cooler	Yes	Yes
Weight	63.5	68.5
Output Port Size	8 x 1/4" NPT	16 x 1/4" NPT
Volume	650 x 442 x 680 mm	650 x 442 x 680 mm

